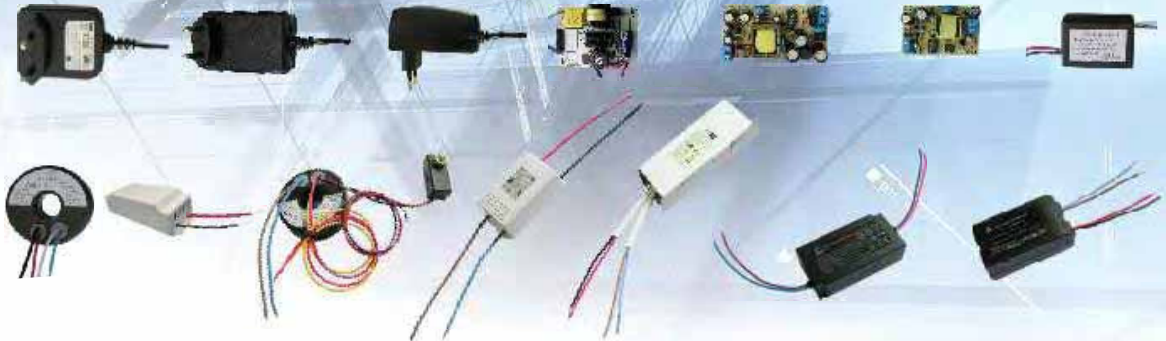


■ LED Driver (Constant Voltage ,Constant Current ,Dimmable)



Features

- Long life: MTBF 50,000 hours min. at 25 °
- Protection: Over Voltage Protection , Over Current Protection & Short Circuit Protection and OTP
- Safety: EMI, EMS, ESD , CE, LVD, FCC compliance
- Special design for TRIAC dimmer and VR dimmer
- Constant voltage , constant current and dimmable are available

Output : Constant Voltage

1. Wall Mounted Type - Input Voltage: AC 100V-240V (universal) Isolation: CLASS II

Test Specification: EN-60950-1, EN55022 Class B, EN61000, UL-60950, FCC part 15 Class B

Output Voltage (V)	3.3	3.3	3.3	3.3	3.3	3.6	3.6	3.6	3.6	3.6	4.2	4.2	4.5	4.5	5	5	5	5	5	5	
Output Current (A)	1	2	2.5	3.5	4	1	2	2.5	3	4	0.8	2	0.8	2	3.5	0.6	0.7	2	2.5	3	4
Dimension	FIG1	FIG2	FIG2	FIG3	FIG3	FIG1	FIG2	FIG2	FIG3	FIG3	FIG1	FIG2	FIG1	FIG2	FIG3	FIG1	FIG1	FIG2	FIG2	FIG3	FIG3
Output Voltage (V)	6	6	6	6	7	7	7.5	9	9	9	9	9	10	10	10.8	11	11	12	12	12	
Output Current (A)	0.6	1.5	2	3	0.51	1.8	2.8	0.3	0.4	1	1.4	2	2.5	0.36	1.32	2	0.32	1.2	0.3	1.1	1.5
Dimension	FIG1	FIG2	FIG2	FIG3	FIG1	FIG2	FIG3	FIG1	FIG1	FIG2	FIG2	FIG3	FIG3	FIG1	FIG2	FIG3	FIG1	FIG2	FIG1	FIG2	FIG3
Output Voltage (V)	12	13	13	13.5	14	14	15	15	15	16	16.5	17	18	18	19	20	21	24	24	27	32
Output Current (A)	2	0.27	1	1.7	0.25	0.94	0.24	0.88	1.6	0.82	1.4	0.77	0.73	1.3	0.68	1.2	0.62	0.55	1	0.85	0.75
Dimension	FIG3	FIG1	FIG2	FIG3	FIG1	FIG2	FIG1	FIG2	FIG3	FIG2	FIG3	FIG2	FIG2	FIG3	FIG2	FIG3	FIG2	FIG2	FIG3	FIG3	FIG3

2. Wire Type - Input Voltage: AC 100V-240V (universal) Isolation: CLASS II

Test Specification: EN55015:2006+A1:2007, EN61000-3-2:2006, EN61000-3-3:1995+A1:2001+A2:2005, EN61547:1995+A1:2000

Output Voltage (V)	3.3	3.3	3.3	3.3	3.6	3.6	3.6	3.6	3.6	3.6	4.2	4.5	4.5	5	5	5	5	6	6	6	7
Output Current (A)	2	2.5	3.5	4	1	2	2	2.5	3	4	2	2	3.5	2	2.5	3	4	1.5	2	3	1.8
Dimension	FIG12	FIG12	FIG12	FIG12	FIG8	FIG8	FIG12	FIG12	FIG12	FIG12	FIG12	FIG12	FIG12	FIG12	FIG12	FIG12	FIG12	FIG12	FIG12	FIG12	FIG12
Output Voltage (V)	7.2	7.5	9	9	9	9	10	10.8	10.8	11	12	12	12	12	12	13	13.5	14	15	15	16
Output Current (A)	1	2.8	1	1.4	2	2.5	1.32	0.7	2	1.2	0.8	1.1	1.5	2	2	1	1.7	0.94	0.88	1.6	0.82
Dimension	FIG8	FIG12	FIG12	FIG12	FIG12	FIG12	FIG12	FIG8	FIG12	FIG12	FIG15	FIG12	FIG12	FIG12	FIG12	FIG12	FIG12	FIG12	FIG12	FIG12	FIG12
Output Voltage (V)	16.5	17	18	18	19	20	21	24	24	24	24	27	32								
Output Current (A)	1.4	0.77	0.73	1.3	0.68	1.2	0.62	0.55	0.75	1	1.5	0.85	0.75								
Dimension	FIG12	FIG12	FIG12	FIG12	FIG12	FIG12	FIG12	FIG12	FIG15	FIG12	FIG14	FIG12	FIG12								



Wentai Technology Corporation
 Head office : 6F-3.No 123.Lane235,Pao-chiao Road,
 Shintien city, Taipei Hsien, Taiwan
 Tel : 886-2-8919-2318
 Fax : 886-2-8919-2320
 E-mail : tim@a-wentai.com
 Http : // www.a-wentai.com

Wenta Electronic Co. , Ltd.
 China factory : New Industry Zone, Shisan Village,
 No.8 Junxin Rd, NiuHu, Guanlan, Shenzhen, China
 Tel : 86-755-28025033 / 28034615 / 28034263
 Fax : 86-755-28025022 / 27975433
 E-mail : jason@c-wentai.com ,
 monica@c-wentai.com



Output: Constant current

Wire Type - Input Voltage: AC 100V-240V (universal)

Test Specification: EN55015:2006+A1:2007, EN61000-3-2:2006, EN61000-3-3:1995+A1:2001+A2:2005, EN61547:1995+A1:2000

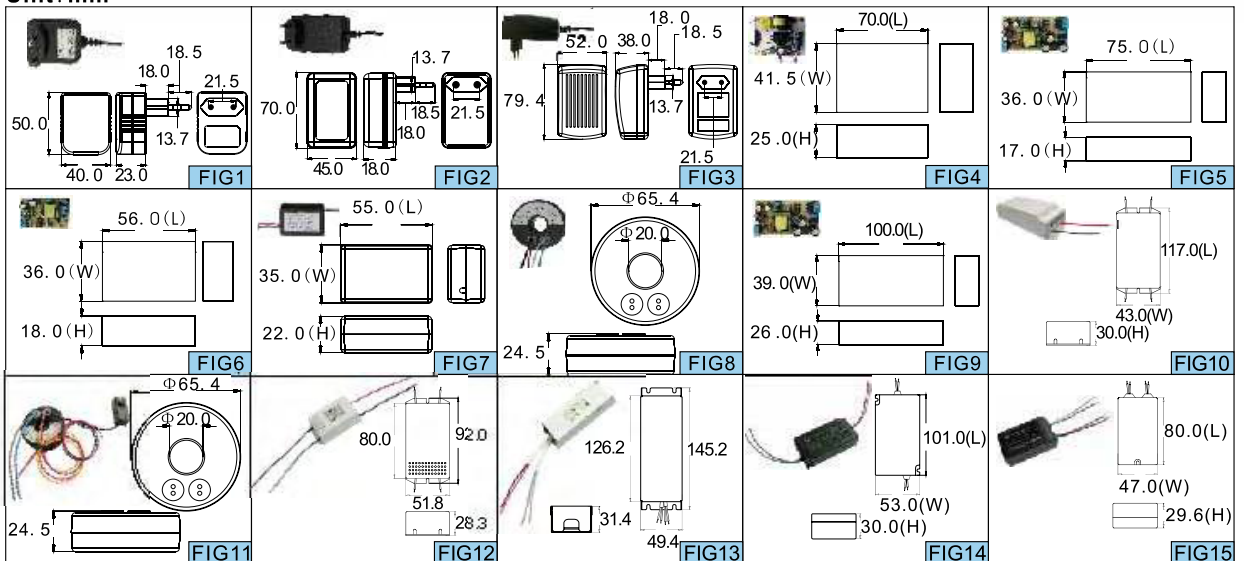
Output Current (A)	350	350	350	350	350	350	350	350	350	350	350
Output Voltage (V)	3.6	3.6	12	12	10.8	12	2-20V	7-24V	2-29V	14~34V	33
Output Watts (W)	1	1	4.2	4.2	3.8	4.2	7	8.4	10	12	12
Isolation	CLASS II	No isolation	CLASS II	No isolation	CLASS II	CLASS II	CLASS II	CLASS II	CLASS II	CLASS II	CLASS II
Dimension	FIG7	FIG7	FIG7	FIG7	FIG7	FIG6	FIG5	FIG8	FIG5	FIG8	FIG8
Output Current (A)	500	500	700	700	700	700	700	700	700	700	700
Output Voltage (V)	20	8-24V	3.6	3.6	10.8	12	3-16V	22	PF>0.9 23~24V	28	PF>0.9 42V
Output Watts (W)	10	12	3	3	7.6	8.4	11.2	15	17	20	30
Isolation	CLASS II	CLASS II	CLASS II	CLASS II	CLASS II	CLASS II	CLASS II	CLASS II	CLASS II	CLASS II	CLASS II
Dimension	FIG5	FIG8	FIG6	FIG7	FIG8	FIG5	FIG8	FIG4	FIG9	FIG12	FIG13
Output Current (A)	700	1000	1500								
Output Voltage (V)	PF>0.9	56V3~12V	3.3								
Output Watts (W)	40	12	5								
Isolation	CLASS II	CLASS II	CLASS II								
Dimension	FIG13	FIG8	FIG8								

Dimmable LED Driver

Test Specification: EN55015:2006+A1:2007, EN61000-3-2:2006, EN61000-3-3:1995+A1:2001+A2:2005, EN61547:1995+A1:2000

Model	Input voltage	Constant Current (mA)	Output Voltage (V)	Output Watts(W)	Isolation	Dimension	Dimming
LDU122-240035-WD	100-240V	350	7-24V	8.4	CLASS II	FIG11	VR
LDU122-340035-WD	100-240V	350	14~34V	12	CLASS II	FIG11	VR
LDU122-240050-WD	100-240V	500	8-24V	12	CLASS II	FIG11	VR
LDU122-160070-WD	100-240V	700	3-16V	11.2	CLASS II	FIG11	VR
LDU122-108070-WD	100-240V	700	10.8V	7.6	CLASS II	FIG11	VR
LDU122-033150-WD	100-240V	1500	3.3V	5	CLASS II	FIG11	VR
LDL121-120070-WD	100-120V	700	12V	12	CLASS II	FIG12	TRIAC
LDV121-120070-WD	200-240V	700	12V	12	CLASS II	FIG12	TRIAC
LDL201-280070-WD	100-120V	700	28V	20	CLASS II	FIG10	TRIAC
LDV201-280070-WD	200-240V	700	28V	20	CLASS II	FIG10	TRIAC

Unit: mm



WENTAI

Wentai Technology Corporation

Head office : 6F-3, No.123, Lane235, Pao-chiao Road,
Shintien city, Taipei Hsien, Taiwan
Tel : 886-2-8919-2318
Fax : 886-2-8919-2320
E-mail : tim@a-wentai.com
Http : // www.a-wentai.com

Wenta Electronic Co., Ltd.

China factory : New Industry Zone, Shisan Village,
No.8 Junxin Rd, Niuhu, Guanlan, Shenzhen, China
Tel : 86-755-28025033 / 28034615 / 28034263
Fax : 86-755-28025022 / 27975433
E-mail : jason@c-wentai.com ,
monica@c-wentai.com

